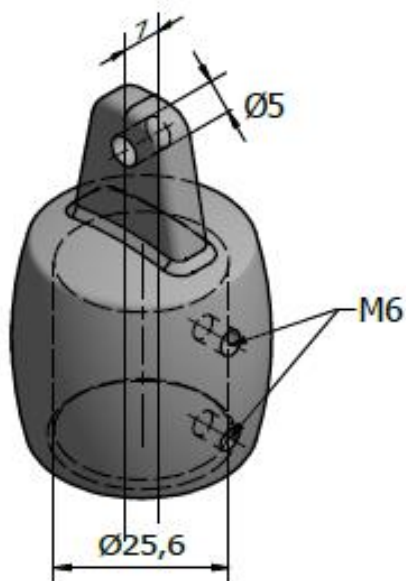


Sprayhood and bimini fitting Endcap 25 mm



Sprayhood fittings are made in:

Characteristic: durable, lightweight, hammer proof, smoothshape, better alternative Environmentally responsible product.

Color: Black / Antracite

Manufacturing method by: Hot mold infusion

PA6 (Recycled Polyamide 6) can be easily formed and used to produce a wide variety of colored polymers and have a good surface reinforced with fibers.

Glass fiber 30% reinforced polymers are characterized by high rigidity, stiffness and strength, good dimensional stability, excellent resistance to heat, good resistance to wear and low coefficient of friction and therefore perfectly suitable for technical parts in industrial engineering and marine sector.

Art-nr. 20.5122