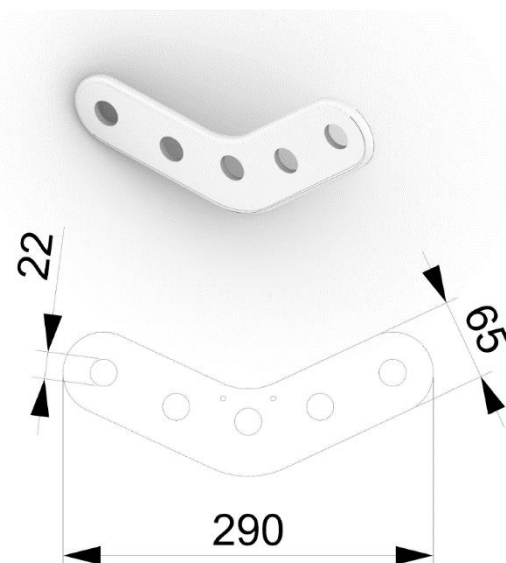


Spreader



Applications for sunawnings are made in.

Color: White and grey

Manufacturing method by: C&C

PVC (Poly vinyl Chloride) is the most widely used member of the vinyl family. It is most commonly used in profiles, pipe and fittings. PVC offers excellent corrosion and weather resistance. It has a high strength-to-weight ratio PVC may be used to temperature min. 30 plus 50 celcius. Benefits: Chemical stability Clarity and rigid Biocompatibility, High strength Economical Dimensional stability Good weather resistance High impact strength. Good paint adhesion properties.

Art-nr. 20.5322W

Art-nr. 20.5322G

