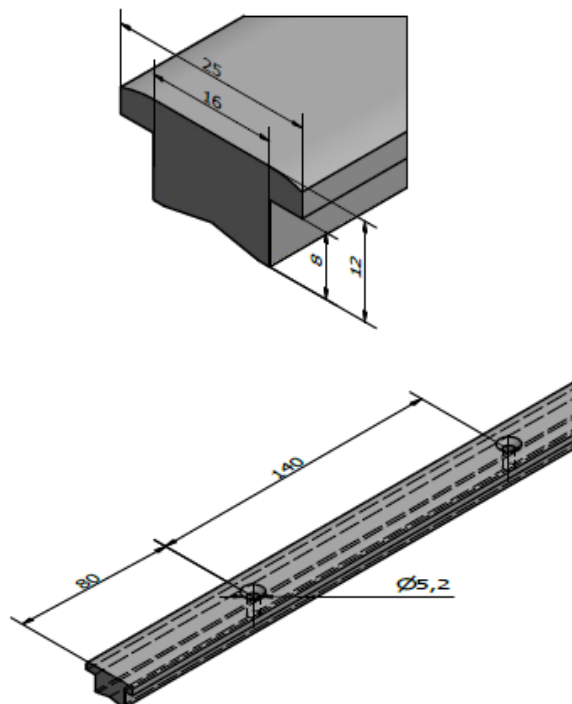


Track and Slider Slidertrack with or without pre-drilled holes



Slidertracks are made in:

Characteristic: Durable, UV stabilized, Coldbending without deforming
1000 mm radius

Color: Black

Manufacturing method by: Extrusion

PVC (Poly vinyl Chloride) is the most widely used member of the vinyl family. It is most commonly used in profiles, pipe and fittings. PVC offers excellent corrosion and weather resistance. It has a high strength-to-weight ratio PVC may be used to temperature min. 30 plus 50 celcius.

Benefits: Chemical stability Clarity / transparency Flexible or rigid Biocompatibility, High strength Economical Dimensional stability Good weather resistance High impact strength.

Art-nr. 30.25.12.5