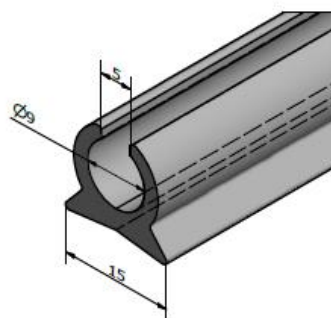
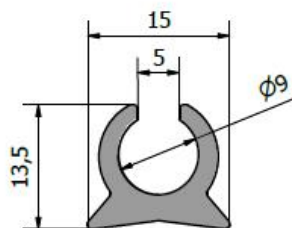
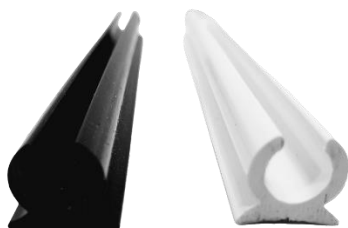


## Keder Track Single



Kedertracks are made in: PVC

Characteristic: Durable, UV stabilized, Coldbending without deforming  
250 mm radius

Color: Black, White and Antracite

Manufacturing method by: Extrusion

PVC ( Poly vinyl Chloride ) is the most widely used member of the vinyl family. It is most commonly used in profiles, pipe and fittings. PVC offers excellent corrosion and weather resistance. It has a high strength-to-weight ratio PVC may be used to temperature min. 30 plus 50 celcius. Benefits: Chemical stability Clarity / transparency Flexible Biocompatibility, High strength Economical Dimensional stability, Good weather resistance, High impact strength.

Art-nr. 30.85.01W

Art-nr. 30.85.01B

Art-nr. 30.85.01A